

# DINION IP starlight 7000 HD

www.boschsecurity.com



**BOSCH**  
Invented for life



- ▶ Excellent low-light performance
- ▶ Built-in Intelligent Video Analytics to trigger relevant alerts and quickly retrieve data
- ▶ Intelligent Dynamic Noise Reduction reduces bandwidth and storage requirements by up to 50%
- ▶ Extended Dynamic Range mode to see details in bright and dark areas simultaneously
- ▶ Auto back focus for fast installation

This camera provides clear images 24/7 – even at night or under low-light conditions.

The exceptional starlight sensitivity enables this camera to work with a minimum of ambient light. The extended dynamic mode provides detailed images in scenes with challenging lighting.

The camera is available in 1080p or 720p resolution versions and provides up to 60 images per second. There is a selection of high quality lenses separately available.

## Functions

### Exceptional low-light performance

The latest sensor technology combined with the sophisticated noise suppression results in an exceptional sensitivity in color. The low-light performance is so good that the camera continues to provide excellent color performance even with a minimum of ambient light.

### Fast performance

The 60 images-per-second mode provides for optimum performance in fast action scenes and is particularly suitable for casino and banking applications.

### High Dynamic Range

The camera has High Dynamic Range. This is based on a multiple-exposure process that captures more details in the highlights and in the shadows even in the same scene. The result is that you can easily distinguish objects and features, for example, faces with bright backlight.

The actual dynamic range of the camera is measured using Opto-Electronic Conversion Function (OECF) analysis according to IEC 62676 Part 5. This method is used to provide a standard result which can be used to compare different cameras.

### Content Based Imaging Technology

Content Based Imaging Technology (CBIT) is used to radically improve image quality in all lighting conditions and to identify areas for enhanced processing. The camera examines the scene using Intelligent Video Analytics and provides feedback to re-tune the image processing. This provides better detail in the areas that matter and better all-round performance. With IVA, the Intelligent Auto Exposure technology, for example, allows you to view moving objects in bright and dark areas of a scene.

### Intelligent Video Analytics

The built-in video analytics is both robust and intelligent. The Intelligence-at-the-Edge concept now delivers even more powerful features:

- Simple calibration
- False alarm reduction
- Extended range identification
- Crowd and queue management
- Density and flow counting

The mission critical video analytics reliably detects, tracks, and analyzes objects, and alerts you when predefined alarms are triggered. A smart set of alarm rules, together with object filters and tracking modes, makes complex tasks easy.

The system is also extremely robust and is able to reduce false alarms, for example from foliage or shaking objects, even in harsh weather conditions. Metadata is attached to your video to add sense and structure. This enables you to quickly retrieve the relevant images from hours of stored video. Metadata can also be used to deliver irrefutable forensic evidence or to optimize business processes based on people counting or crowd density information. Calibration is quick and easy – just enter the height of the camera. The internal gyro/accelerometer sensor provides the rest of the information to precisely calibrate the video analytics.

#### **Intelligent Dynamic Noise Reduction reduces bandwidth and storage requirements**

The camera uses Intelligent Dynamic Noise Reduction which actively analyzes the contents of a scene and reduces noise artifacts accordingly.

The low-noise image and the efficient H.264 compression technology provide clear images while reducing bandwidth and storage by up to 50% compared to other H.264 cameras. This results in reduced-bandwidth streams that still retain a high image quality and smooth motion. The camera provides the most usable image possible by cleverly optimizing the detail-to-bandwidth ratio.

#### **Area-based encoding**

Area-based encoding is another feature which reduces bandwidth. Compression parameters for up to eight user-definable regions can be set. This allows uninteresting regions to be highly compressed, leaving more bandwidth for important parts of the scene.

#### **Bitrate optimized profile**

The average typical optimized bandwidth in kbits/s for various image rates is shown in the table.

| IPS | 1080p | 720p | 480p |
|-----|-------|------|------|
| 60  | 1900  | 1400 | 722  |
| 30  | 1600  | 1200 | 600  |
| 15  | 1274  | 955  | 478  |
| 12  | 1169  | 877  | 438  |
| 5   | 757   | 568  | 284  |
| 2   | 326   | 245  | 122  |

#### **Multiple streams**

The innovative multi-streaming feature delivers various H.264 streams together with an M-JPEG stream. These streams facilitate bandwidth-efficient viewing and recording as well as integration with third-party video management systems.

The camera can run multiple independent streams that allows to set a different resolution and frame rate on the first and second stream. The user can also choose to use a copy of the first stream.

The third stream uses the I-frames of the first stream for recording; the fourth stream shows a JPEG image at a maximum of 10 Mbit/s.

#### **Regions of interest and E-PTZ**

Regions of Interest (ROI) can be user defined. The remote E-PTZ (Electronic Pan, Tilt and Zoom) controls allow you to select specific areas of the parent image. These regions produce separate streams for remote viewing and recording. These streams, together with the main stream, allow the operator to separately monitor the most interesting part of a scene while still retaining situational awareness.

Intelligent Tracking can follow objects within the defined regions of interest. Intelligent Tracking can autonomously detect and track moving objects or the user can click on an object which the tracker will then follow.

#### **Storage management**

Recording management can be controlled by the Bosch Video Recording Manager (Video Recording Manager) or the camera can use iSCSI targets directly without any recording software.

#### **Edge recording**

Insert a memory card into the card slot to store up to 2 TB of local alarm recording. Pre-alarm recording in RAM reduces recording bandwidth on the network, and extends the effective life of the memory card.

#### **Cloud-based services**

The camera supports time-based or alarm-based JPEG posting to four different accounts. These accounts can address FTP servers or cloud-based storage facilities (for example, Dropbox). Video clips or JPEG images can also be exported to these accounts.

Alarms can be set up to trigger an e-mail or SMS notification so you are always aware of abnormal events.

#### **Easy installation**

The camera can be supplied via a Power-over-Ethernet compliant network cable connection. With this configuration, only a single cable connection is required to view, power, and control the camera. Using PoE makes installation easier and more cost-effective, as cameras do not require a local power source.

The camera can also be supplied with power from +12 VDC power supplies.

To increase system reliability, the camera can be simultaneously connected to both PoE and +12 VDC supplies. If one power source fails, the other source takes over without a reboot so providing power redundancy.

The auto-focus lens wizard makes it easy for an installer to accurately focus the camera for both day and night operation. The wizard is activated from the web browser or from the on-board camera push button making it easy to choose the workflow that suits best. The automatic motorized back focus adjustment with 1:1 pixel mapping ensures the camera is always focused accurately.

#### Automatic image rotation

The integrated gyro/accelerometer sensor automatically corrects the image orientation in steps of 90° if the camera is mounted at right angles or upside down. The sensor image can also be rotated manually through steps of 90°.

To efficiently capture details in long hallways without loss of resolution, mount the camera at right angles. The image is displayed upright at full resolution on your monitor.

#### Scene modes

The camera has a very intuitive user interface that allows fast and easy configuration. Nine configurable modes are provided with the best settings for a variety of applications. Different scene modes can be selected for day or night situations.

#### Hybrid operation

A surge-protected analog video output allows full hybrid operation. This means that high resolution IP video streaming and an analog video output are available simultaneously. The hybrid functionality offers an easy migration path from legacy CCTV to a modern IP-based system.

#### True day/night switching

The camera is a true day/night camera with a mechanical filter for vivid daytime color and exceptional night-time imaging while maintaining sharp focus under all lighting conditions. The filter can be switched remotely, or automatically via a light level sensor or contact input.

#### Data security

Special measures have been put in place to ensure the highest level of security for device access and data transport. The three-level password protection with security recommendations allows users to customize device access. Web browser access can be protected using HTTPS and firmware updates can also be protected with authenticated secure uploads. The on-board Trusted Platform Module (TPM) and Public Key Infrastructure (PKI) support, guarantee superior protection from malicious attacks. The 802.1x network authentication with EAP/TLS, supports TLS 1.2 with updated cipher suites including AES 256 encryption.

The advanced certificate handling offers:

- Self-signed unique certificates automatically created when required
- Client and server certificates for authentication
- Client certificates for proof of authenticity
- Certificates with encrypted private keys

#### Complete viewing software

There are many ways to access the camera's features: using a web browser, with the Bosch Video Management System, with the free-of-charge Bosch Video Client or Video Security Client, with the video security mobile app, or via third-party software.

#### Video security app

The Bosch video security mobile app has been developed to enable Anywhere access to HD surveillance images allowing you to view live images from any location. The app is designed to give you complete control of all your cameras, from panning and tilting to zoom and focus functions. It's like taking your control room with you.

This app, together with the separately available Bosch transcoder, will allow you to fully utilize our dynamic transcoding features so you can play back images even over low-bandwidth connections.

#### System integration

The camera conforms to the ONVIF Profile S specifications. Compliance with these standards guarantees interoperability between network video products regardless of manufacturer.

Third-party integrators can easily access the internal feature set of the camera for integration into large projects. Visit the Bosch Integration Partner Program (IPP) website ([ipp.boschsecurity.com](http://ipp.boschsecurity.com)) for more information.

#### Certifications and approvals

| Standards            | Type  |
|----------------------|---|
| Emission             | EN 55032:2012 /AC2013 class B<br>EN 50121-4:2006 /AC:2008<br>FCC: 47CFR15, class B (2015-10-1)  |
| Immunity             | EN 50130-4:2011 /A12014 (PoE, +12VDC)*<br>EN 50121-4:2006 /AC:2008  |
| Environmental        | EN 50130-5:2011 Class II  |
| Safety               | EN 62368-1:2014/AC:2015<br>EN 60950-1:2006 /A11:2009 /A1:2010 /<br>A12:2011 /A2:2013<br>UL 62368-1, Ed. 2, Dec 1st, 2014<br>UL 60950-1, Ed. 2, October 14, 2014<br>CAN/CSA-C22.2 No. 62368-1<br>CAN/CSA-C22.2 No. 60950-1 |
| HD                   | SMPTE 296M-2001 (Resolution: 1280x720)<br>SMPTE 274M-2008 (Resolution:<br>1920x1080)  |
| Color representation | ITU-R BT.709-6  |

| Standards         | Type   |
|-------------------|--|
| ONVIF conformance | EN 50132-5-2:2011/AC:2012<br>EN 62676-2-3:2014 |
| Image quality     | UL 2802  |

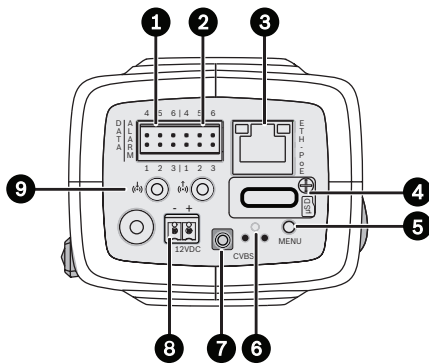
\* Chapters 7 and 8 (mains voltage supply requirement) are not applicable to the camera. However, if the system in which this camera is used needs to comply with this standard, then any power supplies used must comply with this standard.

|       |  |
|-------|--|
| Marks | CE, cULus, WEEE, RCM, EAC and China RoHS |
|-------|--|

| Region | Regulatory compliance/quality marks |
|--------|-------------------------------------|
| Europe | CE                                  |
| USA    | UL                                  |

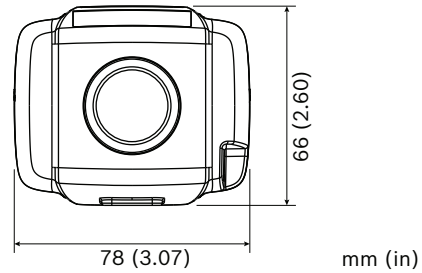
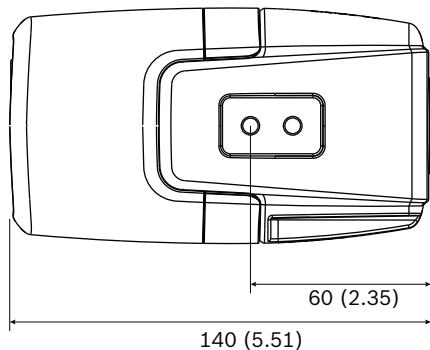
### Installation/configuration notes

#### Controls



|   |                             |   |                           |
|---|-----------------------------|---|---------------------------|
| 1 | Data (RS485/422/232)        | 6 | Reset button              |
| 2 | Alarm in, alarm out         | 7 | Video out (SMB connector) |
| 3 | 10/100 Base-T Fast Ethernet | 8 | Power supply input        |
| 4 | MicroSD card slot           | 9 | Audio in / Audio out      |
| 5 | Menu button                 |   |                           |

#### Dimensions



### Technical specifications

#### Power (12 VDC/PoE version)

|                   |  |
|-------------------|--|
| Input voltage     | Power-over-Ethernet (48 VDC nominal) and/or +12 VDC ±10% (auxiliary) |
| PoE IEEE standard | 802.3af (802.3at Type 1)<br>Power level: Class 3                     |

|                   |            |
|-------------------|------------|
| Power Consumption | 7.2 W max. |
|-------------------|------------|

|                    |             |
|--------------------|-------------|
| Current draw (PoE) | 200 mA max. |
|--------------------|-------------|

|                       |             |
|-----------------------|-------------|
| Current draw (12 VDC) | 600 mA max. |
|-----------------------|-------------|

#### Power (24 VAC version)

|               |  |
|---------------|--|
| Input voltage | Power-over-Ethernet (48 VDC nominal) and/or 24 VAC ±10% / +12 VDC ±10% (auxiliary) |
|---------------|--|

|                   |  |
|-------------------|--|
| PoE IEEE standard | 802.3af (802.3at Type 1)<br>Power level: Class 3 |
|-------------------|--|

|                   |            |
|-------------------|------------|
| Power Consumption | 7.2 W max. |
|-------------------|------------|

|                    |             |
|--------------------|-------------|
| Current draw (PoE) | 200 mA max. |
|--------------------|-------------|

|                       |             |
|-----------------------|-------------|
| Current draw (24 VAC) | 500 mA max. |
|-----------------------|-------------|

|                       |             |
|-----------------------|-------------|
| Current draw (12 VDC) | 600 mA max. |
|-----------------------|-------------|

#### Sensor (1080p version)

|                  |                                    |
|------------------|------------------------------------|
| Sensor type      | 1/2.8-inch CMOS                    |
| Effective pixels | 1920 (H) x 1080 (V); 2MP (approx.) |

#### Sensor (720p version)

|                  |                    |
|------------------|--------------------|
| Sensor type      | 1/2.8-inch CMOS    |
| Effective pixels | 1280 (H) x 720 (V) |

**Starlight sensitivity**

(3100K, reflectivity 89%, 1/25, F1.2, 30IRE)

Color 0.0069 lx

Mono 0.0008 lx

**Dynamic range – HDR mode**

High Dynamic Range (10-bit, 3x exposure) 120 dB WDR

Measured according to IEC 62676 Part 5 110 dB WDR

**Video streaming**

Video compression H.264 (MP); M- JPEG

Streaming Multiple configurable streams in H.264 and M-JPEG, configurable frame rate and bandwidth. Regions of Interest (ROI)

Camera processing latency &lt;67 ms (max. average at 1080p60)

GOP structure IP, IBP, IBBP

Encoding interval 1 to 50 [60] ips

**Video resolution (H x V)**

1080p HD 1920 x 1080 (1080p version only)

Upright mode 1080p 1080 x 1920 (1080p version only)

1.3 MP (5:4) 1280 x 1024 (1080p version only)

720p HD 1280 x 720

Upright mode 720p 720 x 1280

D1 4:3 (cropped) 704 x 480

432p SD 768 x 432

288p SD 512 x 288

**Camera installation**

Application variant Starlight mode (default) / HDR - extended dynamic mode

Base frame rate 25/30/50/60 fps (PAL/NTSC for analog output)

Mirror image On / Off

Flip image On / Off

Rotate 0° / 90° / 180° / 270°

Camera LED Enable/disable

Analog output Off, 4:3 letterbox, 4:3 crop, 16:9

**Camera installation**

Positioning Coordinates / Mounting height

Lens wizard Motorized back-focus

**Video functions - color**

Adjustable picture settings Contrast, Saturation, Brightness

White Balance 2500 to 10000K, 4 automatic modes (Basic, Standard, Sodium lamp, Dominant color), Manual mode and Hold mode

**Video functions - ALC**

ALC level Adjustable

Saturation Adjustable from peak to average

Shutter Automatic Electronic Shutter (AES); Fixed shutter (1/25[30] to 1/15000) selectable; Default shutter

Day/Night Auto (adjustable switch points), Color, Monochrome

**Video functions - enhance**

Sharpness Sharpness enhancement level selectable

Backlight compensation On / off / Intelligent Auto Exposure (IAE)

Contrast enhancement On/off

Signal-to-noise ratio (SNR) &gt;55 dB

Noise reduction Intelligent Dynamic Noise Reduction with separate temporal and spatial adjustments

Intelligent defog Intelligent Defog automatically adjusts parameters for best picture in foggy or misty scenes (switchable)

**Video content analysis**

Analysis type Intelligent Video Analytics

Configurations Silent VCA / Profile1/2 / Scheduled / Event triggered

**Video content analysis**

|                           |  |
|---------------------------|--|
| Alarm rules (combinable)  | Any object<br>Object in field<br>Line crossing<br>Enter / leave field<br>Loitering<br>Follow route<br>Idle / removed object<br>Counting<br>Occupancy<br>Crowd density estimation<br>Condition change<br>Similarity search<br>Flow / counter flow<br>Audio detection (if microphone used) |
| Object filters            | Duration<br>Size<br>Aspect ratio<br>Speed<br>Direction<br>Color<br>Object classes (4)  |
| Tracking modes            | Standard (2D) tracking<br>3D tracking<br>3D people tracking<br>Ship tracking<br>Museum mode  |
| Calibration / Geolocation | Automatic based on gyro / accelerometer data and camera height   |
| Tamper detection          | Maskable   |

**Additional functions**

|                      |   |
|----------------------|---|
| Scene modes          | 10 default modes with scheduler:<br>Indoor, Outdoor, Traffic, Night Optimized, Intelligent AE, Vibrant, Low bitrate, Sports & Gaming, Retail, License Plate Recognition (LPR) |
| Privacy Masking      | Eight independent areas, fully programmable   |
| Video authentication | Off / Watermark / MD5 / SHA-1 / SHA-256   |
| Display stamping     | Name; Logo; Time; Alarm message   |
| Pixel counter        | Selectable area   |
| Camera rotation      | Automatic detection with manual override (90°)  |

**Local storage**

|                  |  |
|------------------|--|
| Internal RAM     | 60 s pre-alarm recording   |
| Memory card slot | Supports up to 32 GB microSDHC / 2 TB microSDXC card. (A memory card of Class 6 or higher is recommended for HD recording) |
| Recording        | Continuous recording, ring recording, alarm/events/schedule recording  |

**Input/output**

|                                |  |
|--------------------------------|--|
| Analog video out               | CVBS (PAL/NTSC), 1 Vpp, SMB, 75 Ohm (surge protected)                    |
| Audio connectors               | 3.5 mm stereo jack (x2)  |
| Audio line in                  | 12 kOhm typical, 1 Vrms max  |
| Audio line out                 | 1 Vrms at 1.5 kOhm typical,  |
| Alarm input connectors         | Clamp (x2 non-isolated closing contact)                                  |
| Alarm input activation voltage | +5 VDC to +40 VDC<br>(+3.3 VDC with DC-coupled 22 kOhm pull-up resistor) |
| Alarm output connector         | Clamp  |
| Alarm output voltage           | 30 VAC or +40 VDC<br>Maximum 0.5 A continuous, 10VA                      |
| Ethernet                       | RJ45   |
| Data port                      | RS-232/422/485   |

**Audio streaming**

|                       |   |
|-----------------------|---|
| Standard              | G.711, 8 kHz sampling rate<br>L16, 16 kHz sampling rate<br>AAC-LC, 48 kbps at 16 kHz sampling rate<br>AAC-LC, 80 kbps at 16 kHz sampling rate |
| Signal-to-Noise Ratio | >50 dB  |
| Audio Streaming       | Full-duplex / half duplex   |

**Software**

|                              |   |
|------------------------------|---|
| Unit discovery               | IP Helper   |
| Unit configuration           | Via web browser or Configuration Manager  |
| Firmware update              | Remotely programmable   |
| Software viewing             | Web browser;<br>Video Security Client;<br>Video Security App;<br>Bosch Video Management System;<br>Bosch Video Client;<br>or third party software |
| Latest firmware and software | <a href="http://downloadstore.boschsecurity.com/">http://downloadstore.boschsecurity.com/</a>   |

| Network          |   |
|------------------|---|
| Protocols        | IPv4, IPv6, UDP, TCP, HTTP, HTTPS, RTP/RTCP, IGMP V2/V3, ICMP, ICMPv6, RTSP, FTP, ARP, DHCP, APIPA (Auto-IP, link local address), NTP (SNTP), SNMP (V1, V3, MIB-II), 802.1x, DNS, DNSv6, DDNS (DynDNS.org, selfHOST.de, no-ip.com), SMTP, iSCSI, UPnP (SSDP), DiffServ (QoS), LLDP, SOAP, Dropbox™, CHAP, digest authentication |
| Encryption       | TLS 1.2, SSL, DES, 3DES   |
| Ethernet         | 10/100 Base-T, auto-sensing, half/full duplex   |
| Connectivity     | Auto-MDIX   |
| Interoperability | ONVIF Profile S;<br>GB/T 28181  |

| Optical        |  |
|----------------|--|
| Lens mount     | CS mount (C-mount with adapter ring)   |
| Lens connector | Standard 4-pin DC-iris connector   |
| Lens Types     | Manual and DC-Iris auto-detect with override<br>DC-iris drive: max. 50 mA continuous |
| Lens Controls  | Wizard from web page or camera button  |

| Mechanical             |  |
|------------------------|--|
| Dimensions (W x H x L) | 78 x 66 x 140 mm (3.07 x 2.6 x 5.52 inch) without lens |
| Weight                 | 690 g (1.52 lb) without lens                           |
| Color                  | RAL 9007 Metallic Titanium                             |
| Tripod Mount           | Bottom (isolated) and top 1/4-inch 20 UNC              |
| Sustainability         | PVC free   |

| Environmental         |                                  |
|-----------------------|----------------------------------|
| Operating Temperature | -20°C to +50°C (-4°F to 122°F)   |
| Storage Temperature   | -30°C to +70°C (-22°F to +158°F) |
| Operating Humidity    | 20% to 93% RH                    |
| Storage Humidity      | up to 98% RH                     |

## Ordering information

### **NBN-73013-BA Fixed camera 1MP HDR**

High-performance IP box camera for IVA-optimized, mission-critical, HD surveillance in low light and with hybrid IP/analog operation.

720p

Order number **NBN-73013-BA**

### **NBN-73023-BA Fixed camera 2MP HDR**

High-performance IP box camera for IVA-optimized, mission-critical, HD surveillance in low light and with hybrid IP/analog operation.

1080p

Order number **NBN-73023-BA**

**Accessories****LVF-5005C-S0940 Varifocal lens, 9-40mm, 5MP, CS mount**

Varifocal SR megapixel IR corrected lens with 1/2.5" sensor and CS-mount  
Order number **LVF-5005C-S0940**

**LVF-5003N-S3813 Varifocal lens, 3.8-13mm, 3MP, C mount**

Varifocal SR megapixel lens with 1/2" sensor and C-mount  
Order number **LVF-5003N-S3813**

**LVF-5005C-S1803 Varifocal lens, 1.8-3mm, 5MP, CS mount**

Varifocal SR megapixel IR corrected lens with 1/2.5" sensor and CS-mount  
Order number **LVF-5005C-S1803**

**LVF-5005C-S4109 Varifocal lens, 4.1-9mm, 5MP, CS mount**

Varifocal SR megapixel IR corrected lens with 1/1.8" sensor and CS-mount  
Order number **LVF-5005C-S4109**

**LVF-5005N-S1250 Varifocal lens, 12-50mm, 5MP, C mount**

Varifocal megapixel IR corrected lens with 1/1.8" sensor max and C-mount  
Order number **LVF-5005N-S1250**

**UPA-1220-60 Power supply, 120VAC 60Hz, 12VDC 1A out**

Power supply for camera. 100-240 VAC, 50/60 Hz In; 12 VDC, 1 A Out; regulated.  
Input connector: 2-prong, North American standard (non-polarized).  
Order number **UPA-1220-60**

**UPA-1220-50 Power supply, 220VAC 50Hz, 12VDC 1A out**

Power supply for camera. 110-240 VAC, 50/60 Hz In; 12 VDC, 1 A Out; regulated.  
Input connector: 2-prong, European Europlug standard (4 mm / 19 mm).  
Order number **UPA-1220-50**

**TC9210U Camera mount, 6", indoor**

A universal 6-inch wall/ceiling grid with off-white finish for 4.5 kg (10 lb) max load, incl. T-Bar ceiling clip and wall/ceiling mount flange.  
Order number **TC9210U**

**UHO-HBGS-51 Outdoor housing, blower, 230VAC/35W**

Outdoor housing for (230 VAC / 12 VDC) camera with 230 VAC power supply, blower and feed-through cabling.  
Order number **UHO-HBGS-51**

**UHO-HBGS-61 Outdoor housing, blower, 120VAC/35W**

Outdoor housing for (120 VAC / 12 VDC) camera. 120 VAC power supply; blower; feed-through cabling  
Order number **UHO-HBGS-61**

**UHO-HBGS-11 Outdoor housing, 24VAC, feed-through**

Outdoor housing for (24 VAC / 12 VDC) camera with 24 VAC power supply, blower and feed-through cabling.

Order number **UHO-HBGS-11**

**LTC 9215/00 Wall mount with cable feed through, 12"**

Wall mount for camera housing, cable feed-through, 30 cm (12 in); for outdoor use.  
Order number **LTC 9215/00**

**LTC 9215/00S Wall mount for UHI/UHO**

Wall mount for camera housing, cable feed-through, 18 cm (7 in); for indoor use.  
Order number **LTC 9215/00S**

**LTC 9219/01 Feed through J mount**

J-mount for camera housing, 40 cm (15 in); for indoor use.  
Order number **LTC 9219/01**

**LTC 9210/01 Column mount, 8", 9KG/20lb load**

Feed-through column mount for 20 cm (8 in), 5 kg (11 lb) maximum load; light gray finish; for indoor use.  
Order number **LTC 9210/01**

**LTC 9213/01 Pole mount adapter for LTC9210,9212,9215**

Flexible pole mount adapter for camera mounts (use together with the appropriate wall mount bracket). Max. 9 kg (20 lb); 3 to 15 inch diameter pole; stainless steel straps  
Order number **LTC 9213/01**

**NBN-MCSMB-03M Cable, SMB to BNC, camera-cable, 0.3m**

0.3 m (1 ft) analog cable, SMB (female) to BNC (female) to connect camera to coaxial cable  
Order number **NBN-MCSMB-03M**

**NBN-MCSMB-30M Cable, SMB to BNC, camera-monitor/DVR**

3 m (9 ft) analog cable, SMB (female) to BNC (male) to connect camera to monitor or DVR  
Order number **NBN-MCSMB-30M**

**VJT-XTCXF VIDEOJET XF TRANSCODER**

High-performance video transcoder. H.264; CF card slot; ROI; max resolution 1080p; 2 channels  
Order number **VJT-XTCXF**

**NPD-5001-POE Power over ethernet , 15.4W, 1-port**

Power-over-Ethernet midspan injector for use with PoE enabled cameras; 15.4 W, 1-port  
Weight: 200 g (0.44 lb)  
Order number **NPD-5001-POE**

**NPD-5004-POE Power over ethernet, 15.4W, 4-port**

Power-over-Ethernet midspan injectors for use with PoE enabled cameras; 15.4 W, 4-ports  
Weight: 620 g (1.4 lb)  
Order number **NPD-5004-POE**



**UPA-1220-60 Power supply, 120VAC 60Hz,12VDC 1A out**  
Power supply for camera. 100-240 VAC, 50/60 Hz In;  
12 VDC, 1 A Out; regulated.

Input connector: 2-prong, North American standard  
(non-polarized).  
Order number **UPA-1220-60**

---

**UHO-POE-10 Outdoor housing, POE + power supply**  
Outdoor camera housing with PoE+ power supply.  
Order number **UHO-POE-10**

---

**Represented by:**

**Europe, Middle East, Africa:**  
Bosch Security Systems B.V.  
P.O. Box 80002  
5600 JB Eindhoven, The Netherlands  
Phone: + 31 40 2577 284  
emea.securitysystems@bosch.com  
emea.boschsecurity.com

**Germany:**  
Bosch Sicherheitssysteme GmbH  
Robert-Bosch-Ring 5  
85630 Grasbrunn  
Germany  
www.boschsecurity.com

**North America:**  
Bosch Security Systems, Inc.  
130 Perinton Parkway  
Fairport, New York, 14450, USA  
Phone: +1 800 289 0096  
Fax: +1 585 223 9180  
onlinehelp@us.bosch.com  
www.boschsecurity.us

**Asia-Pacific:**  
Robert Bosch (SEA) Pte Ltd, Security Systems  
11 Bishan Street 21  
Singapore 573943  
Phone: +65 6571 2808  
Fax: +65 6571 2699  
apr.securitysystems@bosch.com  
www.boschsecurity.asia